



## High Security Cylindrical Door

### MSD 99

#### Technical Data:

Voltage	VDC	240
Frequency	HZ	50
Current	A	4
Power Consumption	W	960
Dimensions Diam.	mm	1000
Height	mm	2400
Weight	Kg	850
Throughput (approx)	P/min	6

#### Description

The MSD 99 high security door is designed to control people entering or exiting highly restricted areas. Only one person at a time can gain access to a secured area such as:

- \* Banks
- \* Laboratories
- \* R & D Buildings
- \* Insurance Offices
- \* Computer centres
- \* Nuclear Power Plants
- \* Government Buildings
- \* Military Classified Areas
- \* Administrative Buildings

#### Features

Automatic door functions. Optimal relation between space needed (1.0m) and width of passage (0.55m).

Inhibit forced entry.

Bullet proof thickness glass of up to 23mm.

Wear resistant door wng drive and running gear.

Passage frequency 5-6 people/min dependant on type of access control system. Elimination of double person passage.

Draught proof function.

Easy, safe passage.

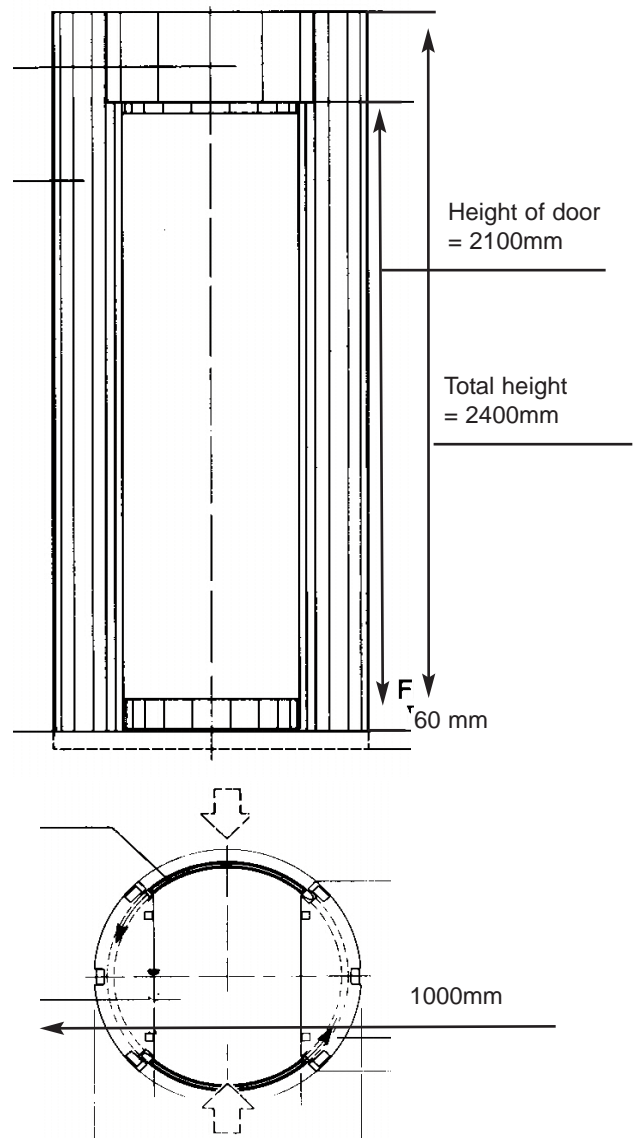
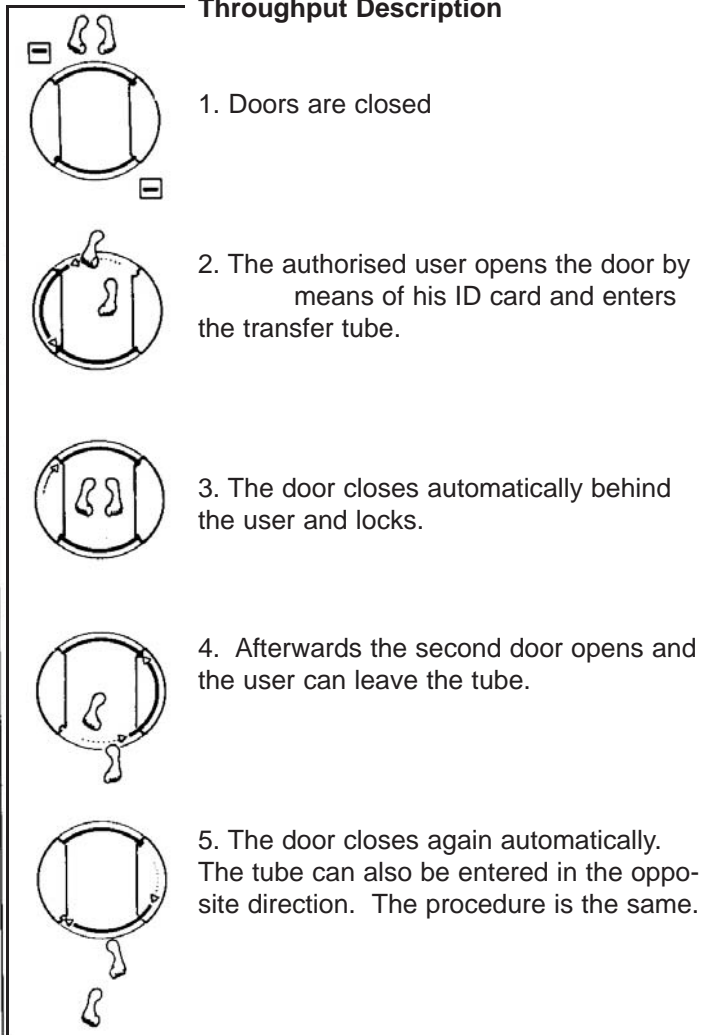
Can be used as an emergency exit.

#### Controller

The programmable logic controller (PLC) is built in the ceiling of the door. It provides software adaption and interfacing with a variety of remote security access systems and key card readers.

It also integrates the inputs from limit switches and door safety devices. Outputs are available for positions of the doors and alarm functions.

### Throughput Description



For high throughput several cylindrical doors can be installed with infill panels containing access control equipment.

In high security applications, the following hardware and software is typically interfaced:

- \* Fingerprint readers
- \* Eye retinal pattern readers
- \* Facial recognition systems
- \* Hand geometry readers

### Australia

Magnetic Automation Pty Ltd  
 14A Tullamarine Park Drive  
 Tullamarine VIC 3043

Tel: 1300 364 864  
 Fax: (03) 9338 1398  
 Email: info@magnetic-oz.com